



FOR GARDENS THAT GO THE EXTRA YARD

AUTOMATIC FISH FEEDER 6L

INSTRUCTION MANUAL



VERSION
JULY 2023

www.pondmax.com.au



WELCOME TO THE WORLD OF PONDMAX™.
YOU MADE THE **RIGHT** CHOICE INVESTING IN THIS
QUALITY PRODUCT. THANK YOU AND **ENJOY.**

BEFORE USING THIS PRODUCT, PLEASE READ THESE INSTRUCTIONS OF USE CAREFULLY AND MAKE YOURSELF FULLY FAMILIAR WITH THE UNIT. PLEASE KEEP THESE INSTRUCTIONS IN A SAFE PLACE FOR FUTURE REFERENCE.

TECHNICAL SPECIFICATIONS

DESCRIPTION	SPECIFICATIONS
FISH FOOD GRAIN SIZE (MM)	3 - 10
RESERVOIR SIZE (L)	6
NUMBER OF FEEDING TIMES PER DAY	1-6
LITHIUM BATTERY CAPACITY (mA)	2200
CHARGE ADAPTER SPECIFICATIONS	12V / 1.66A
DIMENSIONS LXWXH (MM)	275 x 252 x 420

DESIGN HIGHLIGHTS

The PondMAX Automatic Fish Feeder is designed for easy convenience to ensure your fish are well fed.

- Solar charging with built in rechargeable 2200MA high-capacity lithium battery,
- Equipped with adapter charging socket (12v, charger to be purchased separately)
- For extended periods of time the external switch can be closed to prevent the battery from draining
- Large screen display
- Transparent protective cover and barrel to prevent false triggering
- 6 Litre super feed capacity barrel
- Automatic design - set up to 6 feeding times
- 120 degrees wide angle spray feeder to conveniently spread to a large area
- Made from strong durable material

AUTOMATIC FISH FEEDER 6L

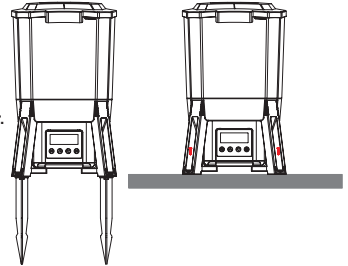
INSTALLATION

ATTENTION:

Ensure that the fish feeder is firmly installed to prevent it from falling into the water.

Option 1. Install the spikes and push into the ground by the pond.

Option 2: Fix the feeding device on a board or ground with screws



FUNCTION INDICATORS

Settings: changes modes

Current time: Adjust the displayed current time

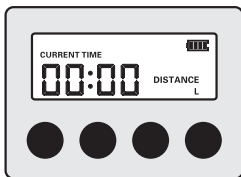
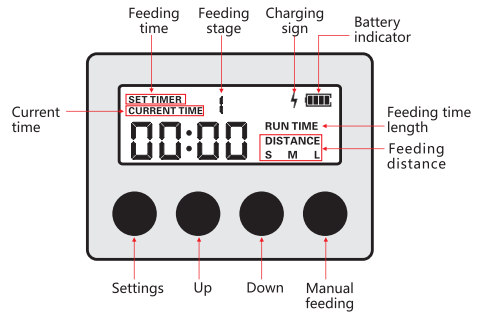
Feeding time: Set the feeding start time

Feeding time length: You can set feeding time between 0 - 20 seconds, 0 seconds means no feeding at this feeding stage.

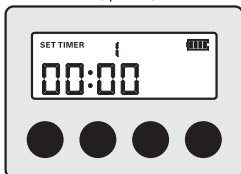
Feeding distance: Three feeding distances can be set. "S" small range feeding, "M" medium range feeding, "L" large range feeding

Feeding stage: Up to 6 stages per day

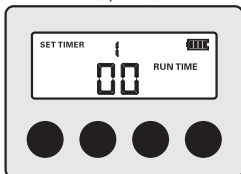
Manual feeding: Long press for 3 seconds and it will start feeding for 3 seconds



(pic 1)



(pic 2)



(pic 3)

SETTING TIMER, STAGE & DISTANCE

1. Turn on the external power switch. Press the SET button briefly and then press the UP or DOWN buttons to enter the current time, enter the hour then press the SET button again to enter the minutes.

2. Press the SET button again and the letter "L" will flash and enters the feeding distance setting. Switching feeding distance by pressing UP or DOWN button.

"S" means small-scale feeding, the motor speed is 60%, and the feeding distance is about 1m.

"M" means feeding in the medium range, the motor speed is 80%, and the feeding distance is about 2m.

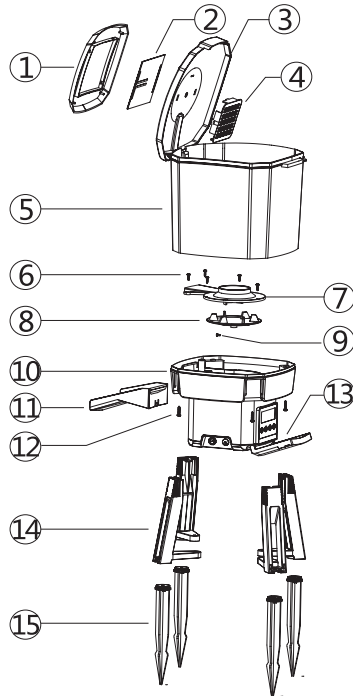
"L" means large-scale feeding, the motor speed is 100%, and the feeding distance is about 3m.

3. Set feeding stage as per picture 2. There are 6 time stages to set. Press SET button and set time by pressing the UP or DOWN buttons.

4. Set feeding time length as per picture 3. The feeding period is between 0 to 20 seconds. Press the UP or DOWN button to set feeding time length. 0 second means no feeding.

EXPLODED VIEW

PART NO.	DESCRIPTION
1	Transparent Cover
2	Solar Panel
3	Bucket Cover
4	Desiccant Rack
5	Feeding Bucket
6	Screw 1
7	Impeller Cover
8	Impeller
9	Screw 2
10	Main Body
11	Pallet
12	Screw 3
13	Protective Cover
14	Foot
15	Spikes



TROUBLESHOOTING

Problem	Reason	Solution
No Display	Loose internal connecting cables	Unscrew the bottom screws and refix them
	Battery has no power	Place in sunlight for solar charging
		Charge with 12V adapter (adapter sold separately)
	The external switch is not on	Turn on the external switch
Display on but no response	The impeller is stuck	Clear blockage from impeller
Impeller is moving but no feed is thrown out	Lumps in feed	Mash lumps

AUTOMATIC FISH FEEDER 6L

LIMITED WARRANTY 2 YEAR

- To guard against injury, basic safety precautions should be observed including but not limited to the following;
- This product comes with a warranty against defects (Warranty). The benefits provided in this Warranty are in addition to other rights and remedies available to you under the Australia Consumer Law. The Warranty is provided to the original purchaser of the product on the following terms:
- The Warranty is given by Aquatec Equipment Pty Ltd trading as Aquatec Equipment, 37 Edison Circuit, Forrestdale WA 6112. Contactable by phone 1300 552 202 or email info@pondmax.com.au.
- To make a claim under the Warranty you must return the faulty product to the place of purchase with a valid receipt or proof of purchase.
- A Warranty claim must be made within 2 years of the date of purchase.
- If your claim complies with the above terms and the product is not an Exhaustible Item and no Voiding Events have occurred, we will (at our sole discretion):
 - repair the product, if possible; or
 - provide a replacement product; or
 - if a replacement product is not available, provide a refund for the purchase price paid.
- You will bear the cost associated with claiming under the Warranty such as the cost of transportation and delivery of the product to and from the place of purchase
- The Warranty will be void if any of the following events occur, as determined by us, at our sole discretion (Voiding Events):
 - any tampering/removal of warranty/identification labels or electrical components is evident;
 - the defect has arisen due to: an accident, incorrect or inadequate installation, misuse or abuse of the product (including improper maintenance and service), excessive wear and tear, not following manufacturer's guidelines instructions, or the product has been used in a manner contrary to the purpose of suitability of the product;
 - the product has been modified without our authority;
 - the defect is caused by power surges/spikes brownouts.
- Loss of livestock, damage of property or personal injury caused by the improper use or abuse of the product will not be covered and the manufacturer excludes all liability for such events, of the extent permitted by law.
- In addition to the Warranty set out above, our goods come with guarantees that cannot be excluded under the Australian Consumer Law. You are entitled to a replacement or refund for a major failure and for compensation for any other reasonably foreseeable loss or damage. You are also entitled to have the goods repaired or replaced if the goods fail to be of acceptable quality and the failure does not amount to a major failure.

Please consult your retailer for quality original PondMAX replacement parts.

Visit www.aquatecequipment.com for your nearest stockists.

E.&O.E.



FOR GARDENS THAT GO THE EXTRA YARD



AQUATEC
EQUIPMENT

HOTLINE 1300 AQUATEC

www.pondmax.com.au