

DH 25 S / DH 65 S

EN

ORIGINAL INSTRUCTIONS  
CONDENSER DRYER



 TROTEC

**Table of contents**

**Notes regarding the instructions** ..... 2

**Safety** ..... 2

**Information about the device**..... 6

**Transport and storage**..... 6

**Assembly and start-up**..... 7

**Operation** ..... 9

**Errors and faults**..... 10

**Maintenance** ..... 12

**Technical annex**..... 15


**Disposal** ..... 24


**Declaration of conformity** ..... 24


**Notes regarding the instructions**


**Symbols**

 **Danger**  
This symbol indicates dangers to the life and health of persons due to extremely flammable gas.


 **Danger**  
This symbol indicates dangers to the life and health of persons due to flammable refrigerants.

 **Warning of electrical voltage**  
This symbol indicates dangers to the life and health of persons due to electrical voltage.

 **Warning**  
This signal word indicates a hazard with an average risk level which, if not avoided, can result in serious injury or death.

 **Caution**  
This signal word indicates a hazard with a low risk level which, if not avoided, can result in minor or moderate injury.

**Note**  
This signal word indicates important information (e.g. material damage), but does not indicate hazards.

 **Info**  
Information marked with this symbol helps you to carry out your tasks quickly and safely.



**Follow the manual**

Information marked with this symbol indicates that the instructions must be observed.

You can download the current version of the instructions via the following link:

DH 25 S



<https://hub.trotec.com/?id=43847>



DH 65 S



<https://hub.trotec.com/?id=43848>

**Safety**

**Read this manual carefully before starting or using the device. Always store the manual in the immediate vicinity of the device or its site of use.**



**Warning**

**Read all safety warnings and all instructions.** Failure to follow the warnings and instructions may result in electric shock, fire and/or serious injury. **Save all warnings and instructions for future reference.**

This appliance can be used by children aged from 8 years and above and persons with reduced physical, sensory or mental capabilities or lack of experience and knowledge if they have been given supervision or instruction concerning use of the appliance in a safe way and understand the hazards involved.

Children shall not play with the appliance. Cleaning and user maintenance shall not be made by children without supervision.

- Do not use the device in potentially explosive rooms or areas and do not install it there.
- Do not use the device in aggressive atmosphere.
- Only put up the device in an upright, stable position on firm ground.
- Let the device dry out after a wet clean. Do not operate it when wet.
- Do not use the device with wet or damp hands.

- Do not expose the device to directly squirting water.
- Do not cover the device during operation.
- Do not sit on the device.
- This appliance is not a toy. Keep away from children and animals. Do not leave the device unattended during operation.
- Check accessories and connection parts for possible damage prior to every use of the device. Do not use any defective devices or device parts.
- Ensure that all electric cables outside of the device are protected from damage (e.g. caused by animals). Never use the device if electric cables or the power connection are damaged!
- The mains connection must correspond to the specifications in the Technical annex.
- Insert the mains plug into a properly fused mains socket.
- Observe the device's power input, cable length and intended use when selecting extensions to the power cable. Completely unroll extension cables. Avoid electrical overload.
- Before carrying out maintenance, care or repair work on the device, remove the mains plug from the mains socket. Hold onto the mains plug while doing so.
- Switch the device off and disconnect the power cable from the mains socket when the device is not in use.
- When positioning the device, observe the minimum distances from walls and other objects as well as the storage and operating conditions specified in the Technical annex.
- Make sure that the air inlet and outlet are not obstructed.
- Make sure that the suction side is kept free of dirt and loose objects.
- Never insert any objects or limbs into the device.
- Do not remove any safety signs, stickers or labels from the device. Keep all safety signs, stickers and labels in legible condition.
- Only transport the device in an upright position with an emptied condensation tank or drain hose.
- Discharge the collected condensate before transport and storage. Do not drink it. Health hazard!
- Only use original spare parts, for otherwise safe and functional operation cannot be ensured.



### **Safety warnings for devices containing flammable refrigerants**

- Only position the device in rooms where potentially leaking refrigerant cannot accumulate. Unventilated rooms, in which the device is installed, operated or stored, must be built in a way to ensure that potentially leaking refrigerant cannot accumulate. This serves to avoid fire or explosion hazards resulting from an ignition of the refrigerant by an electric furnace, cooking stove or another ignition source.
- Only position the device in rooms where there is no source of ignition (e.g. open flames, an active gas appliance or an electric heater).
- Please note that the refrigerant is odourless.
- Only install the device in compliance with the national installation regulations.
- Please observe the local regulations.
- Observe the national gas regulations.
- Only install, operate and store the device DH 25 S in a room measuring more than 4 m<sup>2</sup>.
- Store the device in a way that no mechanical damage can occur.
- Please note that the connected pipelines must not contain any sources of ignition.
- R290 is a refrigerant that complies with European environmental regulations. No part of the cooling circuit may be perforated.
- R1234yf is a refrigerant that complies with European environmental regulations. No part of the cooling circuit may be perforated.
- Observe the maximum refrigerant capacity in the technical data.
- Do not drill through or burn.
- Do not use any means other than those recommended by the manufacturer for accelerating the defrosting process.
- Every person working with or at the refrigerant circuit must be able to provide a certificate of qualification issued by a body accredited by the industry, demonstrating their competence in the safe use of refrigerants based on a procedure well-known in the industry.
- Service work may only be carried out in accordance with the manufacturer's specifications. If maintenance and repair work require the support of additional persons, the person trained in handling flammable refrigerants shall continuously supervise the work carried out.
- The entire refrigerant circuit is a maintenance-free, hermetically sealed system and may only be maintained or repaired by specialist companies for cooling and air-conditioning or by Trotec.

**Intended use**

Only use the device for drying and dehumidifying room air whilst adhering to the technical data and safety instructions.

Intended use comprises:

- drying and dehumidifying:
  - production plants, underground rooms
  - store rooms, archives, laboratories
  - rooms and areas after water damage caused by burst pipes or flooding
- keeping dry of:
  - instruments, devices, files
  - electric control devices, boiler plants, turbines and pipe systems in power plants
  - moisture-sensitive goods, loads, etc.

**Foreseeable misuse**

- Do not place the device on wet or flooded ground.
- Do not place any objects, e.g. clothing, on the device.
- Do not use the device out of doors.
- Do not use the device in wet rooms (e.g. bathrooms or laundry rooms).
- Never immerse the device in water.
- Do not make any unauthorised modifications, alterations or structural changes to the device.
- Any use other than the intended use is regarded as a reasonably foreseeable misuse.

**Personnel qualifications**

People who use this device must:

- be aware of the dangers that occur when working with electric devices in damp areas.
- have read and understood the instructions, especially the Safety chapter.

Maintenance tasks which require the housing to be opened must only be carried out by specialist companies for cooling and air-conditioning or by Trotec.

**Safety signs and labels on the device**

**Note**

Do not remove any safety signs, stickers or labels from the device. Keep all safety signs, stickers and labels in legible condition.

The following safety signs and labels are attached to the device:

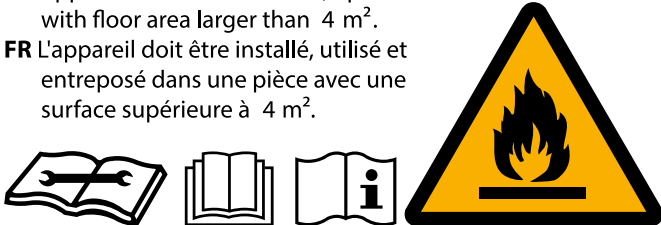
**DH 25 S**

**WARNING • WARNUNG • ATTENTION**

**DE** Das Gerät muss in einem Raum mit einer Grundfläche größer als 4 m<sup>2</sup> aufgestellt, betrieben und gelagert werden.

**EN** Appliance shall be installed, operated and stored in a room with floor area larger than 4 m<sup>2</sup>.

**FR** L'appareil doit être installé, utilisé et entreposé dans une pièce avec une surface supérieure à 4 m<sup>2</sup>.



**DH 65 S**

**WARNING • WARNUNG • ATTENTION**




**Follow the manual**

This symbol indicates that the operating manual must be observed.



**Follow the repair manual**

Disposal, maintenance and repair work of the refrigerant circuit may only be carried out in accordance with the manufacturer's specifications and by persons having a certificate of qualification. A corresponding repair manual is available from the manufacturer upon request.

## Residual risks



### Danger

#### Natural refrigerant propane (R290)!

H220 – Extremely flammable gas.

H280 – Contains gas under pressure; may explode if heated.

P210 – Keep away from heat, sparks, open flames and other ignition sources. No smoking.

P377 – Leaking gas fire: Do not extinguish, unless leak can be stopped safely.

P410+P403 – Protect from sunlight. Store in a well-ventilated place.



### Danger

#### Refrigerant 2,3,3,3-Tetrafluoropropene (R1234yf)!

H220 – Extremely flammable gas.

H280 – Contains gas under pressure; may explode if heated.

P210 – Keep away from heat, sparks, open flames and other ignition sources. No smoking.

P377 – Leaking gas fire: Do not extinguish, unless leak can be stopped safely.

P381 – Eliminate all ignition sources if safe to do so.

P403 – Store in a well-ventilated place.



### Warning of electrical voltage

Work on the electrical components must only be carried out by an authorised specialist company!



### Warning of electrical voltage

Risk of electric shock!

The device does not have the appropriate protection class for use in wet rooms.

There is a risk of electric shock!

Never use the device in wet rooms (e.g. in bathrooms and laundry rooms) and never immerse the device in water!



### Warning of electrical voltage

Before any work on the device, remove the mains plug from the mains socket!

Do not touch the mains plug with wet or damp hands.

Hold onto the mains plug while pulling the power cable out of the mains socket.



### Warning

Dangers can occur at the device when it is used by untrained people in an unprofessional or improper way! Observe the personnel qualifications!



### Warning

The device is not a toy and does not belong in the hands of children.



### Warning

Risk of suffocation!

Do not leave the packaging lying around. Children may use it as a dangerous toy.

### Note

Do not operate the device without an air filter inserted into the air inlet!

Without the air filter, the inside of the device will be heavily contaminated. This could reduce the performance and result in damage to the device.

## Behaviour in the event of an emergency

1. Switch the device off.
2. In an emergency, disconnect the device from the mains feed-in: Hold onto the mains plug while pulling the power cable out of the mains socket.
3. Do not reconnect a defective device to the mains.

**Information about the device**

**Device description**

The device uses the principle of condensation to automatically dehumidify rooms.

The fan sucks damp room air through the air inlet, the air filter, the evaporator and to the condenser located behind it. The air is cooled at the cold evaporator until it is below the dew point. Water vapour contained in the room air precipitates on the evaporator fins as condensation or rime. The dehumidified, cooled air is slightly warmed at the condenser and blown out again. The drier air thus conditioned mixes with the air in the room. The humidity in the room where the device is positioned is reduced as air constantly circulates through the device.

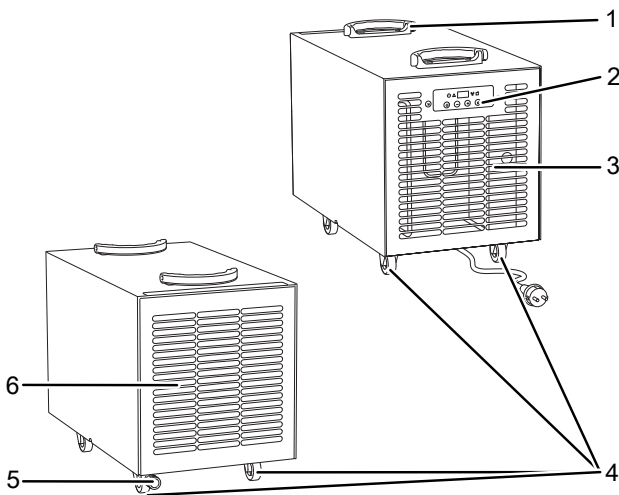
Depending on the air temperature and the relative humidity, the condensed water either drops into the condensation tray continuously or only during the defrost phases. The condensate is fed through a pipe connection and out of the device. To do so, a condensation drain hose is connected to the hose connector of the device and the condensate is drained.

The device comes with a hot gas automatic defrost system. Here, the hot gas of the refrigerant circuit is used actively for fast and effective defrosting. This makes the device operate effectively even at temperatures below 15 °C.

The device has a control panel for operating and controlling the functions.

Because of the heat radiation generated during operation, the room temperature may rise slightly.

**Device depiction**



No.	Designation
1	Transport handle
2	Control panel
3	Air outlet
4	Transport rolls lockable
5	Condensation drain hose connection
6	Air inlet with air filter

**Transport and storage**

**Note**

If you store or transport the device improperly, the device may be damaged.

Note the information regarding transport and storage of the device.

**Transport**

Please note that additional transport regulations might apply to devices containing flammable refrigerants. The equipment's arrangement and the maximum number of components to be transported together can be gathered from the applicable transport regulations.

To make the device easier to transport, it is fitted with a carry handle.

To make the device easier to transport, it is fitted with wheels.

**Before** transporting the device, observe the following:

- Switch the device off.
- Hold onto the mains plug while pulling the power cable out of the mains socket.
- Drain the remaining condensate from the device and the condensation drain hose (see chapter Maintenance).
- Do not use the power cable to drag the device.
- Only wheel the device on firm and level surfaces.

**After** transporting the device, proceed as follows:

- Set up the device in an upright position after transport.

## Storage

**Before** storing the device, proceed as follows:

- Drain the remaining condensate from the device and the condensation drain hose (see chapter Maintenance).
- Hold onto the mains plug while pulling the power cable out of the mains socket.

When the device is not being used, observe the following storage conditions:

- Only store the device in a room measuring more than 4 m<sup>2</sup> (DH 25 S).
- Only position the device in rooms where there is no source of ignition (e.g. open flames, an active gas appliance or an electric heater).
- Store the device in a dry location and protected from frost and heat.
- If required, use a cover to protect the device from invasive dust.
- Place no further devices or objects on top of the device to prevent it from being damaged.

## Assembly and start-up

### Scope of delivery

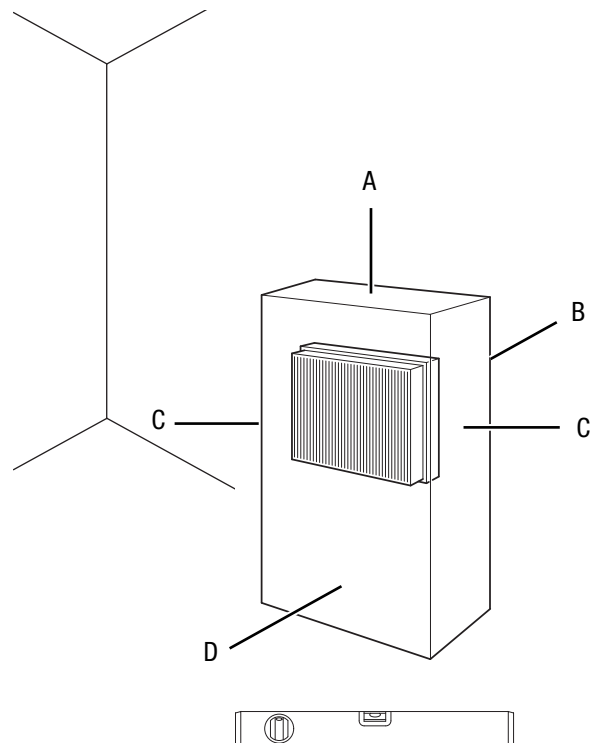
- 1 x Device
- 1 x air filter
- 1 x Manual

### Unpacking the device

1. Open the cardboard box and take the device out.
2. Completely remove the packaging.
3. Fully unwind the power cable. Make sure that the power cable is not damaged and that you do not damage it during unwinding.

## Start-up

When positioning the device, observe the minimum distance from walls or other objects as described in the chapter Technical annex.



- Before restarting the device, check the condition of the power cable. If there are doubts as to the sound condition, contact the customer service.
- Only position the device in rooms where potentially leaking refrigerant cannot accumulate.
- Only position the device in rooms where there is no source of ignition (e.g. open flames, an active gas appliance or an electric heater).
- Only put up the device in an upright, stable position on firm ground.
- Do not create tripping hazards when laying the power cable or other electric cables, especially when positioning the device in the middle of the room. Use cable bridges.
- Make sure that extension cables are completely unrolled.
- When positioning the device, keep a sufficient distance to heat sources.
- Make sure that no curtains or other objects interfere with the air flow.
- When positioning the device, particularly in wet areas, secure it locally with an RCD (residual current device) which complies with the respective regulations.

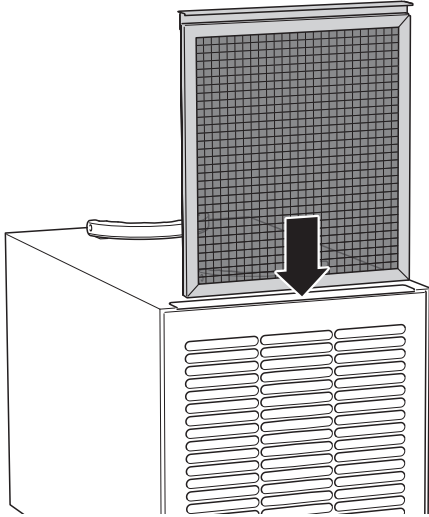
**Inserting the air filter**

**Note**

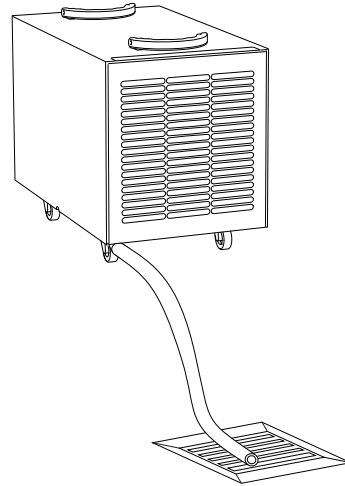
Do not operate the device without an air filter inserted into the air inlet!

Without the air filter, the inside of the device will be heavily contaminated. This could reduce the performance and result in damage to the device.

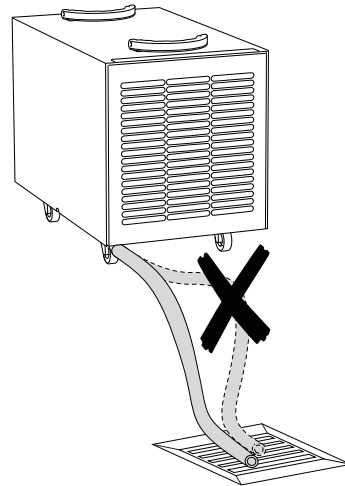
- Make sure that the air filter is installed before switching the device on.



3. Guide the other hose end to a suitable drain or sufficiently dimensioned collection container. Please note that the hose must not be kinked.



4. Make sure that the condensation drain hose is installed with a continuous decline.

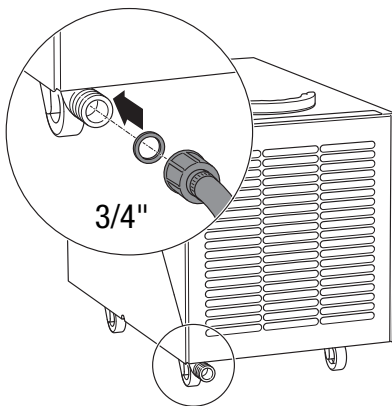


**Connecting the condensation drain hose**

The condensate forming during operation has to be drained via a condensation drain hose. Proceed as follows to connect a condensation drain hose to the device:

- ✓ A suitable condensation drain hose (3/4" connection) is ready for use.
- ✓ The device is switched off.

1. Connect the condensation drain hose to the condensation hose connection (5) at the device.



**Connecting the power cable**

- Insert the mains plug into a properly secured mains socket.

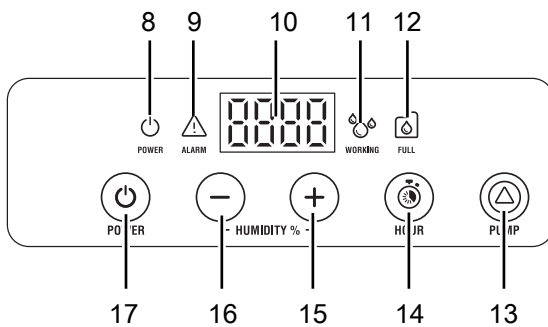
2. Make sure that the condensation drain hose is properly connected to the device and free of damage.



## Operation

### Control panel

- Avoid open doors and windows.
- After being switched on, the device operates fully automatically.
- The fan runs permanently until the set nominal value is reached or the device switched off.
- After a runtime of approximately 35 minutes the device will switch over to the defrost mode for a duration of about 3 minutes, if required.



No.	Designation	Meaning
8	POWER LED	Illuminated during standby and ongoing operation
9	ALARM LED	Illuminated in the event of an error message
10	Segment display	Indication of the desired room humidity level
11	WORKING LED	Illuminated when the compressor is switched on
12	FULL LED	Illuminated when the condensation tray is full
13	PUMP button	Draining of residual water from the condensation tray
14	HOUR button	Activation or deactivation of the operating hours display. The operating hours are indicated on the segment display (10).
15	Increase value button	For increasing the desired relative humidity level (30 % to 80 %)
16	Decrease value button	For reducing the desired relative humidity level (30 % to 80 %)
17	POWER button	Switching the device on and off



### Warning of electrical voltage

Risk of electric shock!

The device does not have the appropriate protection class for use in wet rooms.

There is a risk of electric shock!

Never use the device in wet rooms (e.g. in bathrooms and laundry rooms) and never immerse the device in water!

### Switching the device on

Once you have completely installed the device as described in the chapter Assembly and start-up, you can switch it on.

Press the **POWER** button (17). The device starts to dehumidify.

#### Note

Only use the device in an upright position, otherwise the compressor could be damaged.

#### Note

If you switch the device off and back on immediately afterwards, it will take approx. 4 minutes for the device to start up again.

### Setting the desired room humidity

You can adjust the preset room humidity level at any time during operation.

1. Press the *Increase value* button (15) or *Decrease value* button (16), in order to set the desired value (in increments of 1 % ranging between 30 % and 80 %).  
⇒ The segment display flashes while you are making the setting.
2. The segment display will again be illuminated steadily approx. 4 s after the last input.  
⇒ The desired room humidity level is set.

### Setting continuous operation

The device dehumidifies the air constantly and regardless of the relative room humidity.

1. Press the *Decrease value* button (16) until the segment display (10) shows *Cont.*

### Automatic defrost

At low ambient temperatures, ice may form at the evaporator. The device will then carry out an automatic defrost.

The compressor switches off and the fan keeps running until defrosting is completed. The duration of the defrost process can vary.

Do not switch the device off during automatic defrost. Do not remove the mains plug from the mains socket.

### Memory function

In case of brief power failures the device memorizes the programmed nominal value for humidity. The pre-programmed start and stop times for automatic operation are not saved.

### Shutdown



#### Warning of electrical voltage

Do not touch the mains plug with wet or damp hands.

- Switch off the device.
- Hold onto the mains plug while pulling the power cable out of the mains socket.
- If necessary, remove the condensation drain hose and any residual fluid from it.
- Empty the condensation tank, if need be.
- Clean the device according to the Maintenance chapter.
- Store the device according to the Transport and storage chapter.

## Errors and faults

The device has been checked for proper functioning several times during production. If malfunctions occur nonetheless, check the device according to the following list.

### The device does not start:

- Check the power connection.
- Check the power cable for damages.
- Check the on-site fusing.
- Check the filling level of the condensation tray and empty it, if necessary. The *FULL* LED (12) must not be lit.
- Have the electricians checked by a specialist company for cooling and air-conditioning or by Trotec.

### The device is running, but there is no formation of condensate:

- Check whether the condensation drain hose is positioned correctly.
- Check the room temperature. Observe the device's permissible operating range according to the technical data.
- Ensure that the relative humidity complies with the technical data.
- Check the preselected desired humidity level. The humidity in the room where the device is positioned must be at least 3 % higher than the target value. If necessary, reduce the set relative humidity.
- Check the condensate pump for proper functioning or unusual vibrations and sounds. Remove external dirt (see chapter Maintenance).
- Check the air filter for dirt. If necessary, clean or replace the air filter (see chapter Maintenance).
- Check the exterior of the condenser and the condensate pump for dirt (see chapter Maintenance). If the inside of the device is dirty, have it cleaned by a specialist company or by Trotec.

### The device is loud or vibrates:

- Check the air filter for dirt. If necessary, clean or replace the air filter (see chapter Maintenance).
- Check whether the device is set up in a stable and upright position.

### The device gets very warm, is loud or loses power:

- Check the air inlets and air filters for dirt. Remove external dirt.
- Check the inside of the device and especially the fan, the fan housing, the evaporator, the condenser and the condensate pump for external dirt (see chapter Maintenance). If the inside of the device is dirty, have it cleaned by a specialist company for cooling and air-conditioning or by Trotec.

### Your device still does not operate correctly after these checks?

Please contact the customer service. If necessary, bring the device to a specialist company for cooling and air-conditioning or to Trotec for repair.

### Error codes

To ensure that the correct error table is used, please verify the software version in the segment display (10) first when starting the device.

The following error messages can be displayed on the segment display (10):

## Software version 5501

Message	Cause	Troubleshooting
LOt	The room temperature is lower than 0.5 °C	Only restart the device when the temperature is >10 °C. If the device cannot be started, switch it off and disconnect the power supply.
Prob	The humidity sensor is malfunctioning.	The device operates in continuous operation without humidity control. Have the device checked by a specialist company for cooling and air-conditioning, and have the humidity sensor exchanged if necessary.
Pro3	The ambient temperature probe is malfunctioning.	The device will switch to standby mode. Have the device checked by a specialist company for cooling and air-conditioning, and have the ambient temperature probe exchanged if necessary.
dEFr	The defrost thermostat is malfunctioning.	The device will switch to standby mode. Have the device checked by a specialist company for cooling and air-conditioning, and have the defrost thermostat exchanged if necessary.

## Maintenance

## Maintenance intervals

Maintenance and care interval	before every start-up	as needed	at least every 2 weeks	at least every 4 weeks	at least every 6 months	at least annually
Empty the condensate pump, condensation tray and/or condenser dryer		X				
Check air inlets and outlets for dirt and foreign objects and clean if necessary	X			X		
Clean the exterior		X				X
Visually check the inside of the device for dirt		X		X		
Check air inlet grid(s) and air filter(s) for dirt and foreign objects and clean or replace if necessary	X		X			
Replace the air filter(s)					X	
Check for damage	X					
Check the attachment screws		X				X
Test run						X

## Maintenance and care log

Device type: .....

Device number: .....

Maintenance and care interval	1	2	3	4	5	6	7	8	9	10	11	12	13	14	15	16
Check air inlets and outlets for dirt and foreign objects and clean if necessary																
Clean the exterior																
Visually check the inside of the device for dirt																
Check air inlet grid(s) and air filter(s) for dirt and foreign objects and clean or replace if necessary																
Replace the air filter(s)																
Check for damage																
Check the attachment screws																
Test run																
Comments																

1. Date: .....	2. Date: .....	3. Date: .....	4. Date: .....
Signature: .....	Signature: .....	Signature: .....	Signature: .....
5. Date: .....	6. Date: .....	7. Date: .....	8. Date: .....
Signature: .....	Signature: .....	Signature: .....	Signature: .....
9. Date: .....	10. Date: .....	11. Date: .....	12. Date: .....
Signature: .....	Signature: .....	Signature: .....	Signature: .....
13. Date: .....	14. Date: .....	15. Date: .....	16. Date: .....
Signature: .....	Signature: .....	Signature: .....	Signature: .....

## Activities required before starting maintenance



### Warning of electrical voltage

Do not touch the mains plug with wet or damp hands.

- Switch the device off.
- Hold onto the mains plug while pulling the power cable out of the mains socket.



### Warning of electrical voltage

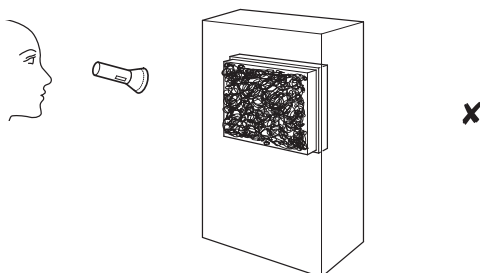
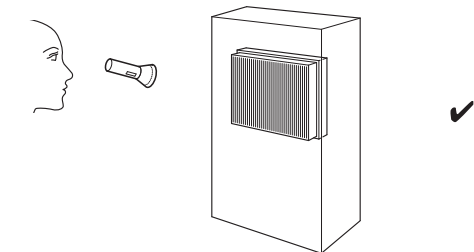
**Tasks which require the device to be opened must only be carried out by authorised specialist companies or by Trotec.**

## Cleaning the housing

Clean the housing with a soft, damp and lint-free cloth. Make sure that no moisture enters the housing. Protect electrical components from moisture. Do not use any aggressive cleaning agents such as cleaning sprays, solvents, alcohol-based or abrasive cleaners to dampen the cloth.

## Visual inspection of the inside of the device for dirt

1. Remove the air filter.
2. Use a torch to illuminate the openings of the device.
3. Check the inside of the device for dirt.
4. If you see a thick layer of dirt, have the inside of the device cleaned by a specialist company for cooling and air-conditioning or by Trotec.
5. Put the air filter back in.



## Refrigerant circuit



### Danger

#### Natural refrigerant propane (R290)!

H220 – Extremely flammable gas.

H280 – Contains gas under pressure; may explode if heated.

P210 – Keep away from heat, sparks, open flames and other ignition sources. No smoking.

P377 – Leaking gas fire: Do not extinguish, unless leak can be stopped safely.

P410+P403 – Protect from sunlight. Store in a well-ventilated place.



### Danger

#### Refrigerant 2,3,3,3-Tetrafluoropropene (R1234yf)!

H220 – Extremely flammable gas.

H280 – Contains gas under pressure; may explode if heated.

P210 – Keep away from heat, sparks, open flames and other ignition sources. No smoking.

P377 – Leaking gas fire: Do not extinguish, unless leak can be stopped safely.

P381 – Eliminate all ignition sources if safe to do so.

P403 – Store in a well-ventilated place.

- The entire refrigerant circuit is a maintenance-free, hermetically sealed system and may only be maintained or repaired by specialist companies for cooling and air-conditioning or by Trotec.

## Cleaning the air filter

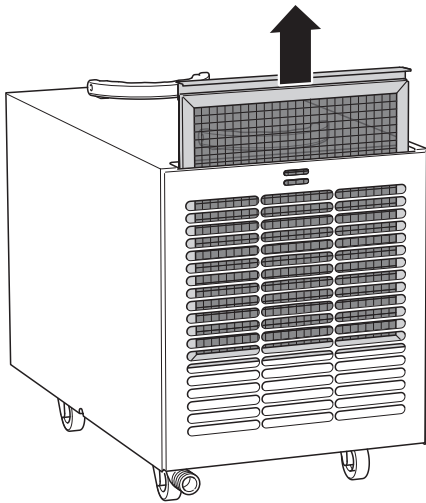
The air filter has to be cleaned as soon as it is dirty. This is brought to light e.g. by a reduced capacity (see chapter Errors and faults).



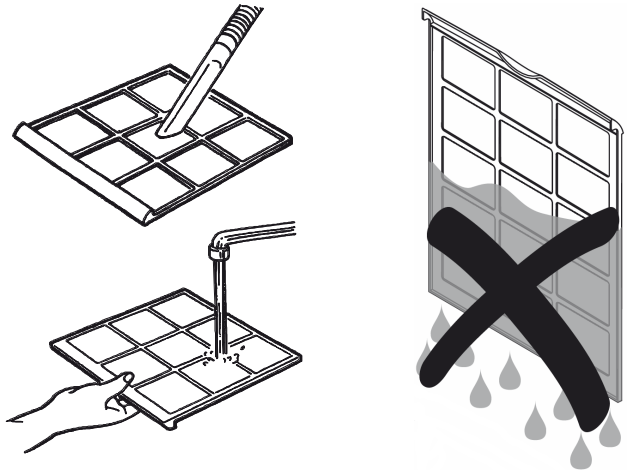
### Warning

Ensure that the air filter is not worn or damaged. The corners and edges of the air filter must not be deformed or rounded. Before reinserting the air filter, make sure that it is undamaged and dry!

1. Remove the air filter (6) at the air inlet from the device.

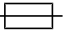


2. Clean the filter using a slightly damp, soft, lint-free cloth. If the filter is heavily contaminated, clean it with warm water mixed with a neutral cleaning agent.

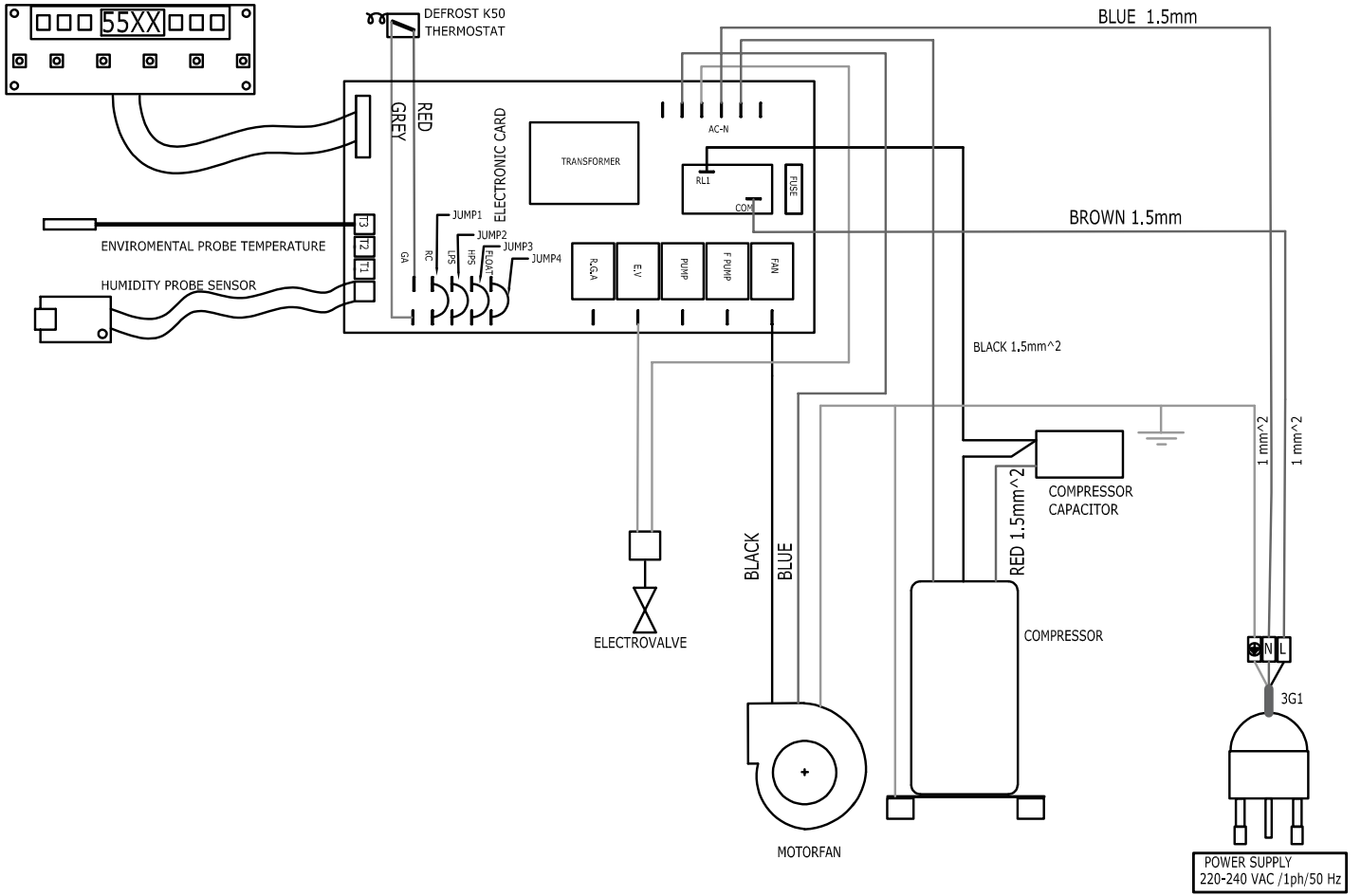


3. Allow the filter to dry completely. Do not insert a wet filter into the device!
4. Reinsert the air filter into the device.

**Technical annex**
**Technical data**

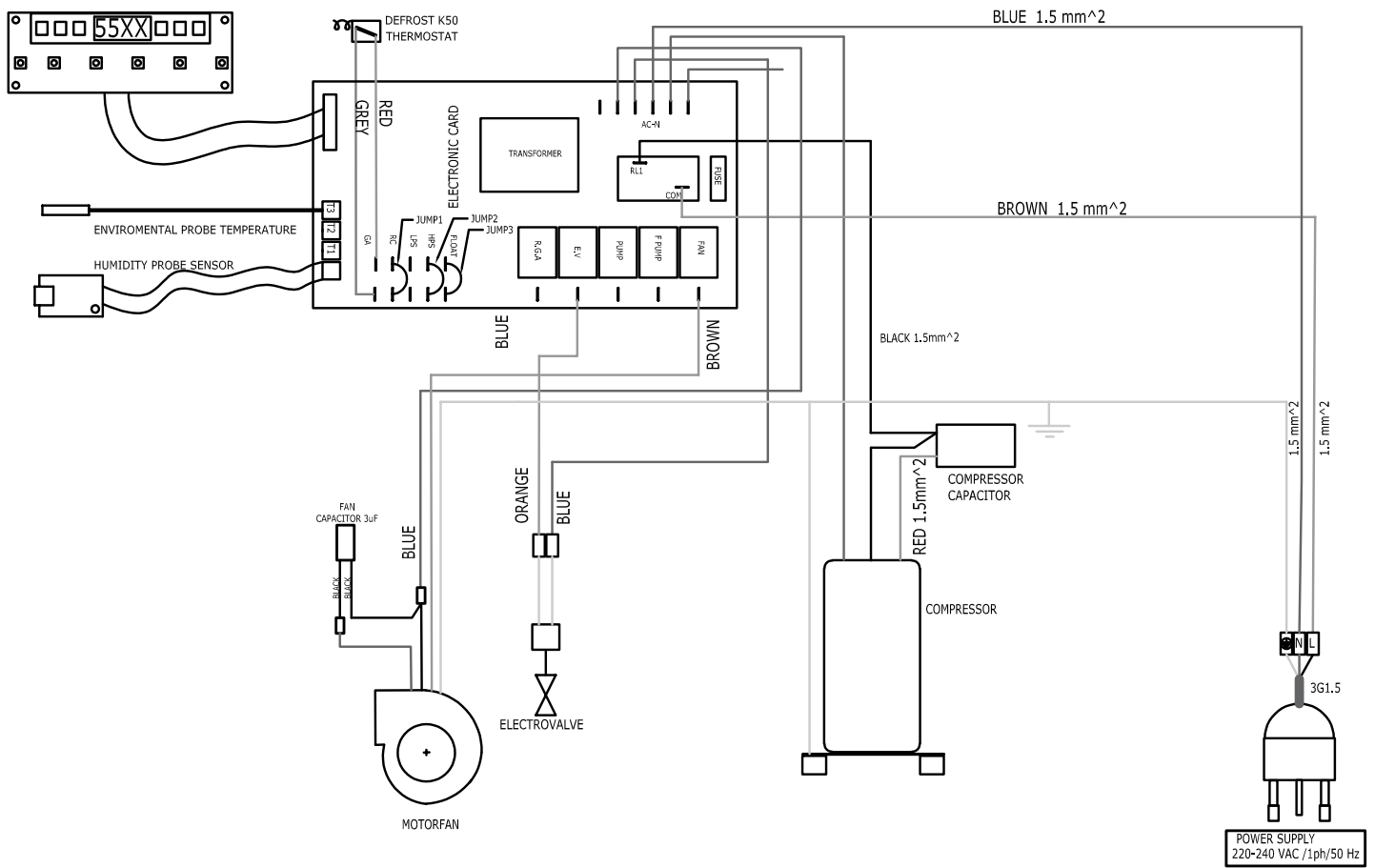
Parameter	Value	
Model	DH 25 S	DH 65 S
Dehumidification performance / 24 h at 30 °C / 80 % RH	40 l	80 l
Amount of air	450 m <sup>3</sup> /h	1100 m <sup>3</sup> /h
Max. permissible pressure	2.5 MPa	2.5 MPa
Pressure suction side	1.0 MPa	0.6 MPa
Pressure outlet side	2.5 MPa	2.5 MPa
Operating range (temperature)	1 to 35 °C	1 to 35 °C
Operating range (relative humidity)		
below 30 °C	35 to 93 % RH	35 to 98 % RH
30 °C to 32 °C	35 to 90 % RH	35 to 90 % RH
32 °C to 35 °C	35 to 70 % RH	35 to 70 % RH
Mains connection	220 – 240V ~ 50 Hz	220 – 240V ~ 50 Hz
Power input	0.7 kW	1.48 kW
Nominal current	3.1 A	7.6 A
Peak starting current	16 A	16 A
Fusing 	T 10 A 250 V	T 10 A 250 V
Type of protection	IPX0	IPX0
Refrigerant	R290	R1234yf
Amount of refrigerant	152 g	750 g
GWP factor	3	4
CO <sub>2</sub> equivalent	0.000456 t	0.00300 t
Sound level at a distance of 3 m	51 dB(A)	56 dB(A)
Minimum distance to walls or other objects:		
	A: top: 50 cm	50 cm
	B: rear: 50 cm	50 cm
	C: side: 50 cm	50 cm
	D: front: 50 cm	50 cm
Length x width x height	420 x 350 x 580 mm	580 x 730 x 580 mm
Weight	34 kg	55 kg

**Wiring diagram DH 25 S**





Wiring diagram DH 65 S

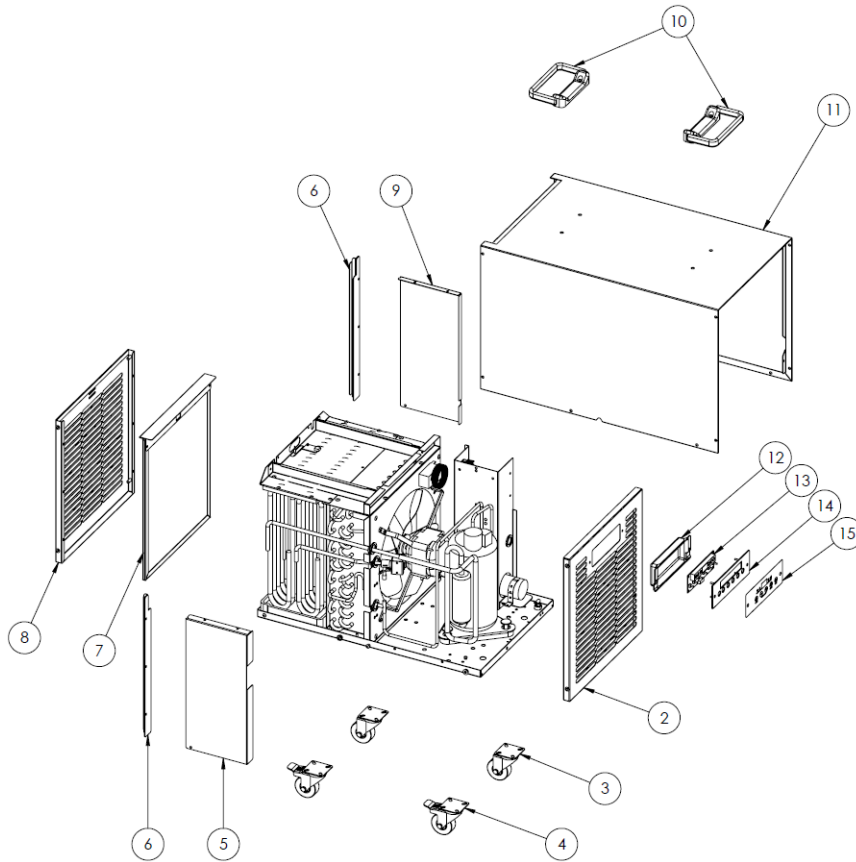


**DH 25 S – exploded assembly drawing 1**



**Info**

The position numbers of the spare parts differ from those describing the positions of the components mentioned in these instructions.



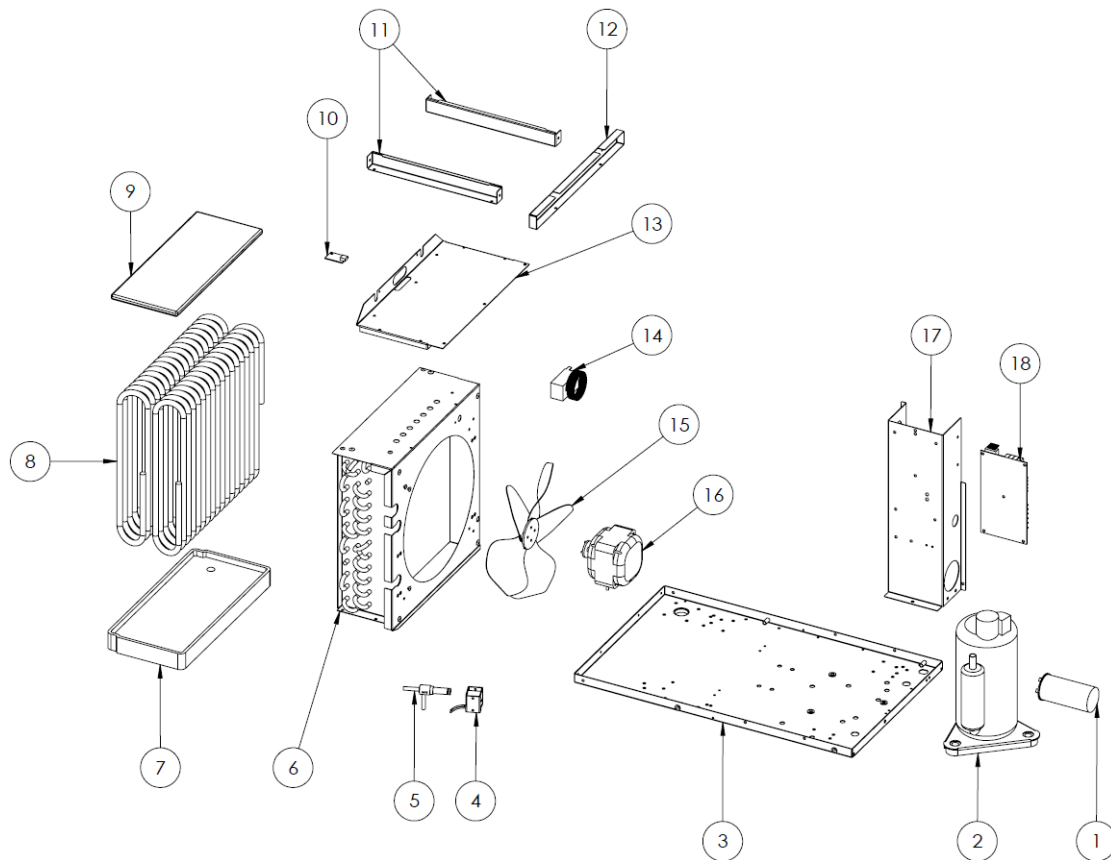
No.	Spare part	No.	Spare part
1	Shuko plug	9	Evaporator closing Sx
2	Front grille	10	Handle
3	Wheel Ø50	11	Cover
4	Wheel Ø50 with brake	12	Display protection
5	Evaporator closing Dx	13	Display
6	Filter lane	14	Display support
7	Filter + filter holder	15	Display label
8	Rear grille		

**DH 25 S – exploded assembly drawing 2**



**Info**

The position numbers of the spare parts differ from those describing the positions of the components mentioned in these instructions.



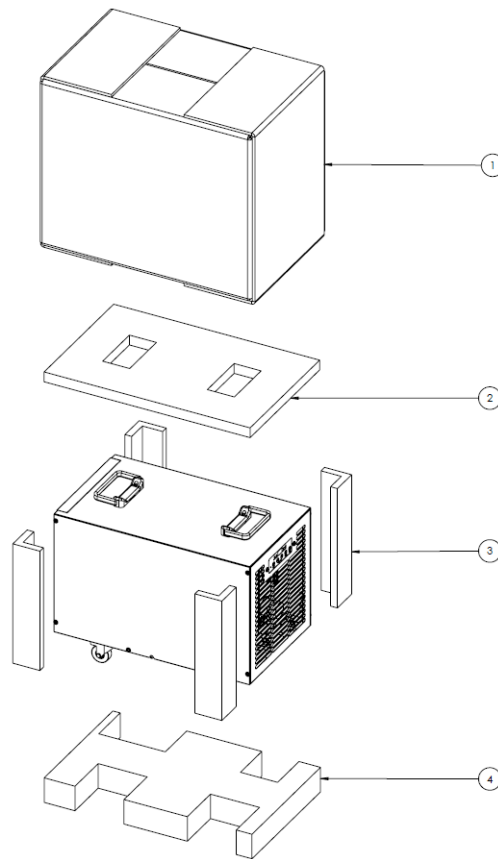
No.	Spare part	No.	Spare part
1	Running capacitor	10	Humidity sensor
2	Compressor Kit	11	Side lane humidity sensor
3	Bottom	12	Front lane humidity sensor
4	Sanhua coil	13	Evaporator top
5	Solenoid valve	14	Thermostat K50
	Solenoid valve with sanhua coil	15	Plastic fan
6	Condenser	16	Motor fan
7	Upper condensate tray	17	Electrical cabinet panel
8	Evaporator	18	Electronic board PCB
9	Lower condensate tray		

**DH 25 S – exploded assembly drawing 3**



**Info**

The position numbers of the spare parts differ from those describing the positions of the components mentioned in these instructions.



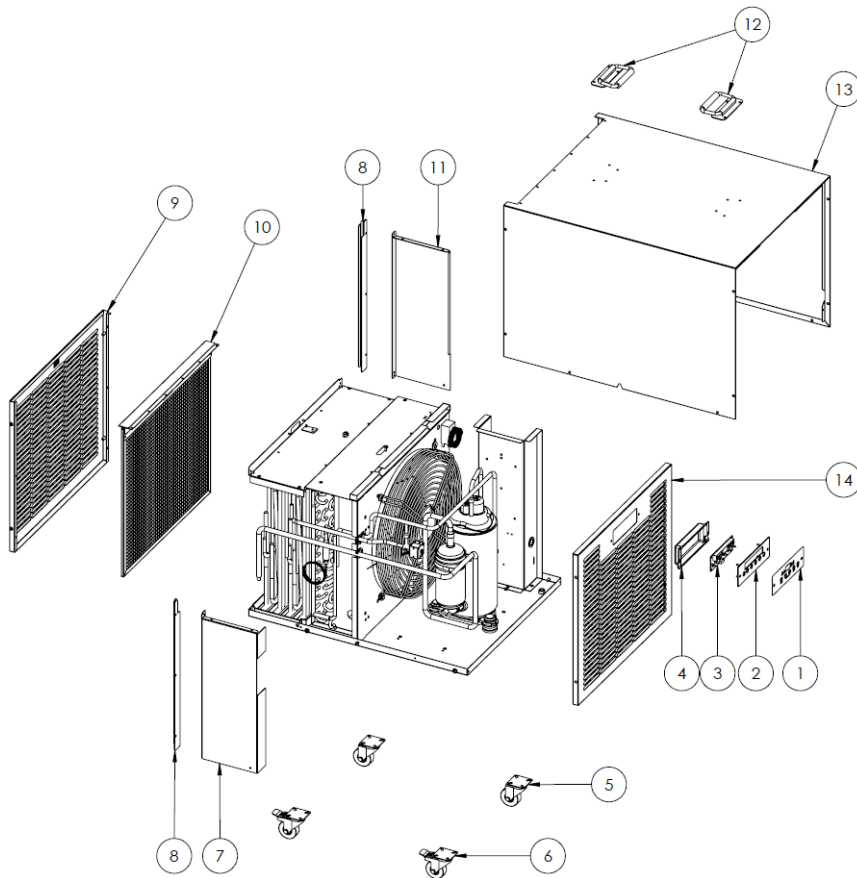
No.	Spare part	No.	Spare part
1	cardboard box	3	PSE corner
2	PSE top	4	PSE bottom

**DH 65 S – exploded assembly drawing 1**



**Info**

The position numbers of the spare parts differ from those describing the positions of the components mentioned in these instructions.



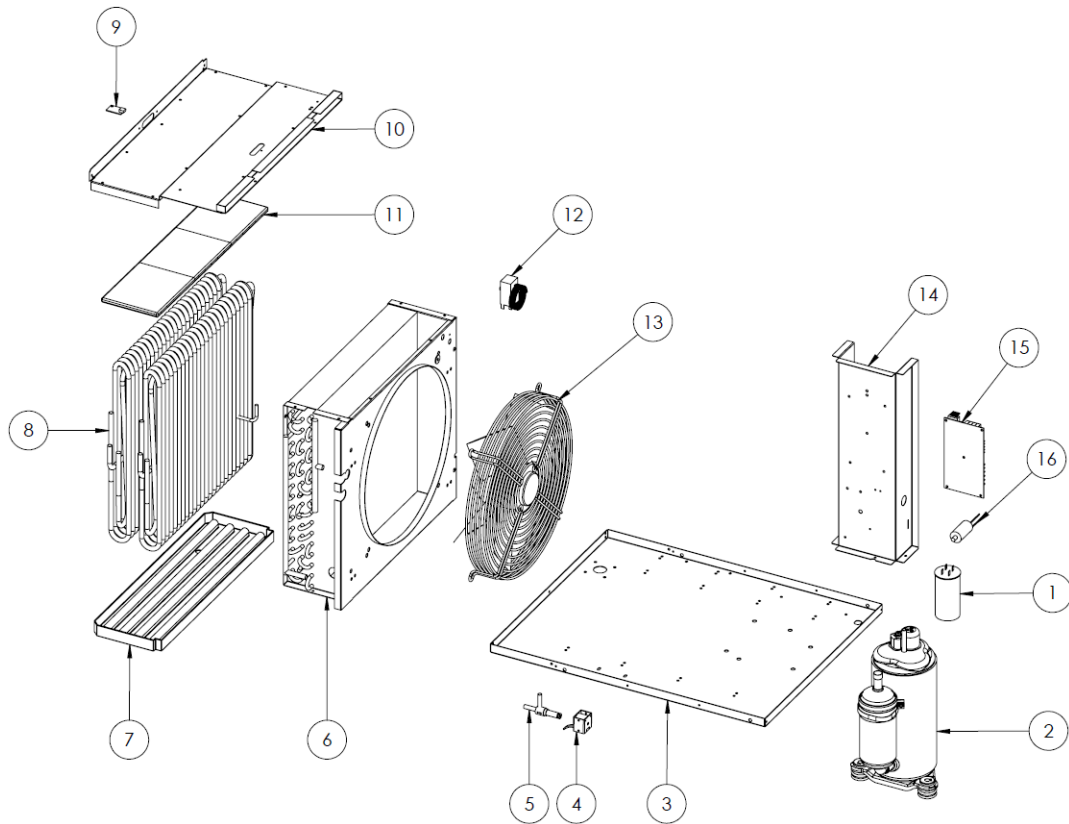
No.	Spare part	No.	Spare part
1	Display label	8	Filter lane
2	Display support	9	Rear grille
3	Display	10	Filter + filter holder
4	Display protection	11	Evaporator closing Sx
5	Wheel Ø50	12	Handle
6	Wheel Ø50 with brake	13	Cover
7	Evaporator closing Dx	14	Front grille

**DH 65 S – exploded assembly drawing 2**



**Info**

The position numbers of the spare parts differ from those describing the positions of the components mentioned in these instructions.



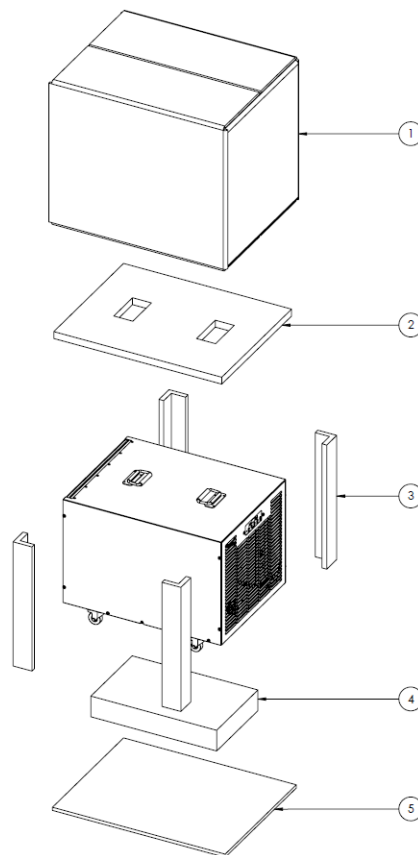
No.	Spare part	No.	Spare part
1	Running capacitor	9	Humidity sensor
2	Compressor Kit	10	Evaporator top
3	Bottom	11	Lower condensate tray
4	Sanhua coil	12	Thermostat K50
5	Solenoid valve	13	Cooling
	Solenoid valve with sanhua coil	14	Electrical cabinet panel
6	Condenser	15	Electronic board PCB
7	Upper condensate tray	16	Fan running capacitor
8	Evaporator		

**DH 65 S – exploded assembly drawing 3**



**Info**

The position numbers of the spare parts differ from those describing the positions of the components mentioned in these instructions.



No.	Spare part	No.	Spare part
1	cardboard box	4	PSE bottom
2	PSE top	5	PSE bottom plate
3	PSE corner		

## Disposal

Always dispose of packing materials in an environmentally friendly manner and in accordance with the applicable local disposal regulations.



The icon with the crossed-out waste bin on waste electrical or electronic equipment stipulates that this equipment must not be disposed of with the household waste at the end of its life. You will find collection points for free return of waste electrical and electronic equipment in your vicinity. The addresses can be obtained from your municipality or local administration. You can also find out about other return options that apply for many EU countries on the website <https://hub.trotec.com/?id=45090>. Otherwise, please contact an official recycling centre for electronic and electrical equipment authorised for your country.

The separate collection of waste electrical and electronic equipment aims to enable the re-use, recycling and other forms of recovery of waste equipment as well as to prevent negative effects for the environment and human health caused by the disposal of hazardous substances potentially contained in the equipment.

### DH 25 S

Have the refrigerant (propane) disposed of appropriately and according to the national regulations by a company with the relevant certification (European Waste Catalogue 160504).

### DH 65 S

The device is operated with fluorinated refrigerant, which can be dangerous for the environment and contribute to global warming when emitted to the atmosphere.

Further information is provided on the nameplate.

Dispose of the refrigerant appropriately and according to the national regulations.

### Only for United Kingdom

According to Waste Electrical and Electronic Equipment Regulations 2013 (2013/3113) devices that are no longer usable must be collected separately and disposed of in an environmentally friendly manner.

## Declaration of conformity

Declaration of conformity in accordance with the EC Machinery Directive 2006/42/EC, Annex II, Part 1, Section A

We – Trotec GmbH – declare in sole responsibility that the product designated below was developed, constructed and produced in compliance with the requirements of the EC Machinery Directive in the version 2006/42/EC.

**Product model / Product:** DH 25 S  
DH 65 S

**Product type:** condenser dryer

**Year of manufacture as of:** 2022

### Relevant EU directives:

- 2011/65/EU: 01/07/2011
- 2014/30/EU: 29/03/2014

### Applied harmonised standards:

- EN 378-2:2016
- EN 55014-1:2017
- EN 55014-1:2017/A11:2020
- EN 60335-1:2012
- EN 60335-1:2012 + AC:2014
- EN 60335-1:2012/A11:2014
- EN 60335-1:2012/A13:2017
- EN 60335-2-40:2003
- EN 60335-2-40:2003/A1:2006
- EN 60335-2-40:2003/A2:2009
- EN 60335-2-40:2003/A11:2004
- EN 60335-2-40:2003/A12:2005
- EN 60335-2-40:2003/A13:2012
- EN 60335-2-40:2003+A11:2012+AC:2013
- EN 60335-2-40:2003/AC:2006
- EN 60335-2-40:2003/AC:2010
- EN IEC 63000:2018

### Applied national standards and technical specifications:

- EN 55014-2:2015
- EN 60335-1:2012/A1:2019
- EN 60335-1:2012/A2:2019
- EN 60335-1:2012/A14:2019
- EN IEC 60335-2-40:2018

### Manufacturer and name of the authorised representative of the technical documentation:

Trotec GmbH  
Grebbeener Straße 7, D-52525 Heinsberg  
Phone: +49 2452 962-400  
E-mail: [info@trotec.de](mailto:info@trotec.de)

Place and date of issue:  
Heinsberg, 04.01.2022

Detlef von der Lieck, Managing Director



Trotec GmbH

Grebener Str. 7  
D-52525 Heinsberg

☎ +49 2452 962-400

☎ +49 2452 962-200

✉ [info@trotec.com](mailto:info@trotec.com)

[www.trotec.com](http://www.trotec.com)