

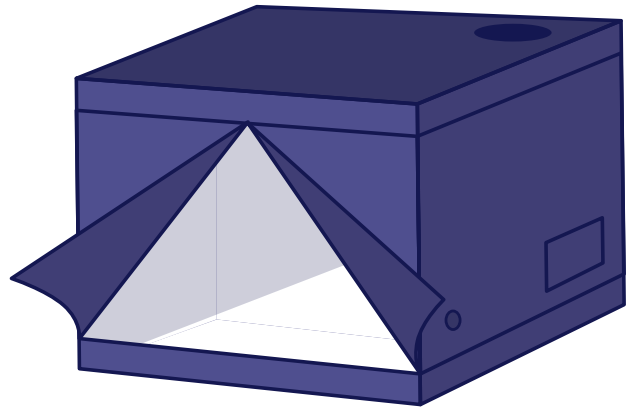


CLONE TENT

0.6M HIGH 0.75 x 0.5M

8553

INSTRUCTION MANUAL



WHAT'S IN THE BOX

Please take the time, before assembling tent, to make sure all contents are present within this box.

8



2



4



A 71cm

4



C 56cm

4



D 46cm

1



Shallow

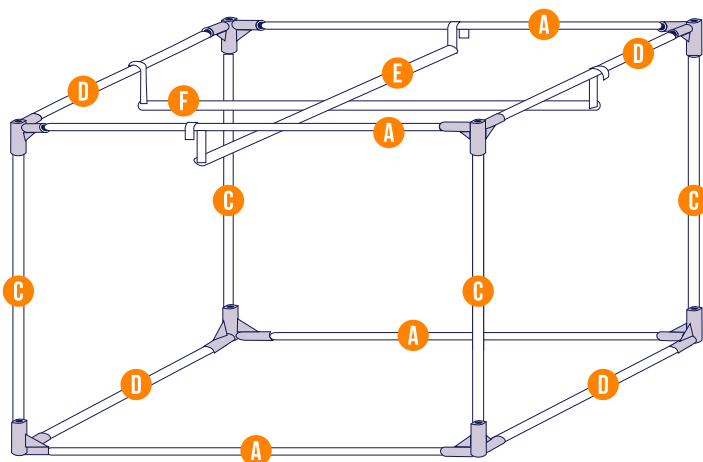
E 50cm

1

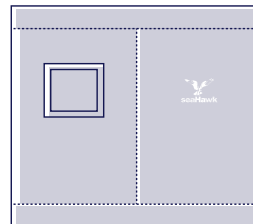


Deep

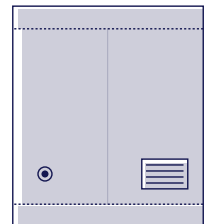
F 75cm



FRONT



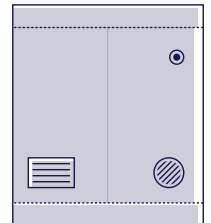
RHS



REAR



LHS



ROOF



seaHawk TENT KEY	
	ZIPPER DOOR/ ACCESS
	WINDOW
	AIR INTAKE
	OUTLET VENT 175 #
	INTAKE PORT 175 #
	CABLE PORT 100 #

ASSEMBLY INSTRUCTIONS

STEP 1

Construct the metal tent frame by assembling the metal poles, corners, and connectors as per diagram. **To avoid damage, it is very important to check that all the poles are pushed completely into each corner/connector/joiner. Use a rubber mallet to gently tap fittings into the poles if necessary.** Failure to do so will not only make the tent cover difficult to fit but may also stretch the seams and allow emissions of light from the functioning tent.

STEP 2

Un-zip the zipper systems all the way.

STEP 3

Locate the tents' roof (*Refer PIC A*) and place neatly and carefully over all 4 corners of the top frame ensuring a snug fit. **To avoid damage, it is important that you hang the shallow and deep bars before doing the next step.**

STEP 4

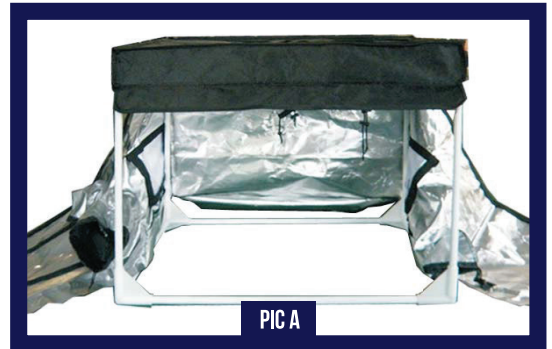
Slip the base section of the tent cover beneath assembled "A" and "D" poles, and ensure it fits in a neat and precise manner around the tent frame corners and sides (*Refer PIC B*).

STEP 5

Close up the zipper system carefully. You may have to push the upright poles in as you zip up around each corner (*Refer PIC C*).

STEP 6

Attach waterproof floor tray in place and Nylon fabric straps. Zip up the zipper on the front (*Refer PIC D*).



DISMANTLING OF SMART TENT

- 1 Ensure the tent is clean and dry before dismantling.
- 2 Reverse the operation as per above instruction. (**Step 6 > Step 5 > Step 4 > Step 3 > Step 2 > Step 1**) To ensure your **Smart Tent** maintains the same "lightproof" quality, always dismantle carefully and avoid stretching the seams of the tent cover.



seaHawk is distributed in Australia by Holland Forge PTY LTD.

